



Packaging Catalog

Wide range of Packaging solutions



Our vision

At **Emanuel Offset Printing** you will receive digital and offset services in one place by professional, skilled and experienced personnel.

Emanuel offset Printing is an ever-developing company and intends to keep on providing the most advanced quality printing & packaging solutions to its clients.

Emanuel Offset Printing constantly acquire new and advanced equipment in order to maintain worldwide quality standards.

We are capable to provide you any type of printing solution for any quantity with high performance in short amount of time.

Our services include: bindery, lamination, foil & embossing, folding, die cutting etc.

Emanuel offset Printing has been firming as a family business in 1971 and kept on growing and expanding its services in printing and packaging for over **four decades**. Today with its large production areas, experienced and specialized staff, and high-tech machinery, Emanuel offset Printing has become one of the leading companies in printing and packaging industry in Israel.

We provide services from manufacturer to client directly !

Our state-of-art folding and gluing machines are capable of straight line, lock bottom, 4&6 corners, double wall and conic folding applications which can be adjusted according to the type of the box.

Location:

Emanuel Offset Printing House, 7 Kaner st. Rishon Lezion on the Southern Ayalon highway.

The place is easily accessible at all hours of the day.

The plant operates on an area larger than 5000 sqm, 24 hours a day and centrally located at the heart of Israel.



Contents

- ■ ■ **Packaging for Food Industry4-8**
- ■ ■ **Packaging for cosmetics Industry9-10**
- ■ ■ **Packaging for Pharmaceuticals Industry . .11-12**
- ■ ■ **Packaging for toys Industry13-14**
Brochures, Books, Booklets
- ■ ■ **Marketing products15-16**
- ■ ■ **Digital Printing products by demand . . .17-18**
- ■ ■ **Packaging Design Department 19**

Packaging for Food Industry

Our company is focused also on food, cosmetic and medical packaging including luxury and customized packaging of both local and global large companies. We have a wide range of products for all kinds of complex packaging from 85 grams of paper to 400 grams cardboard.



62036A

Chinese food packaging
TAKE AWAY



62036E

Chinese food packaging
TAKE AWAY



64360

Basic food packaging
TAKE AWAY



64862

Take away
food packaging



47460

French fries packaging



64862B

Chicken take away packaging



64862

■ ■ ■ **Hamburger or candies
take away packaging**



62051C

■ ■ ■ **Hamburger take away packaging**



64862B

■ ■ ■ **Schnitzel take away packaging**

64862C

■ ■ ■ **Take away food
serving dish**



62051

■ ■ ■ **Pizza slice tray**

64863C

■ ■ ■ **Chicken take away
serving dish**



Packaging for Food Industry



64862A

Organic Vegetables packaging



64862D

Cardboard food serving dish



63908

Crackers packaging



48555

Coffee cup holder



Cereals packaging



Beers packaging

47010
57181 With sticker
■ ■ ■ **French Crepes tray**



■ ■ ■ **Pastry packaging**

4 corners L - 65199
4 corners M - 65198
4 corners S - 65659
6 corners L - 65663
6 corners S - 65224

64947
■ ■ ■ **Jelly roll packaging**



43134
■ ■ ■ **Doughnut & pastry packaging**

■ ■ ■ **Pasta packaging**

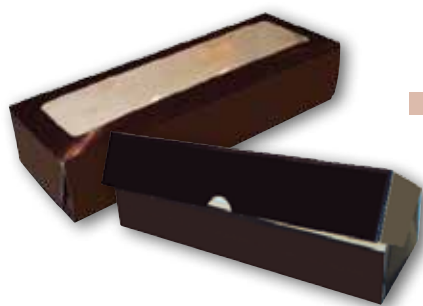


63908
■ ■ ■ **Pasta packaging**

64948
■ ■ ■ **Filo dough packaging**



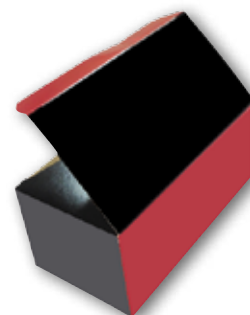
Packaging for Food Industry



■ ■ ■ Sweets packaging with clear window

65174

■ ■ ■ Two burgers packaging



65160

■ ■ ■ Three burgers packaging.



49192

■ ■ ■ Coffee cup carrier



45795 S

46072 L

■ ■ ■ Basic jelly roll packaging

66205

■ ■ ■ Children meal packaging



44259 S

67122 L

■ ■ ■ Popcorn packaging

Packaging for cosmetics Industry



45379

■ ■ ■ **Cosmetic soap packaging**



55144

■ ■ ■ **Shampoo bottle packaging**



55144

■ ■ ■ **Cosmetic cream packaging**



55144

■ ■ ■ **Cosmetic serum bottle packaging**



55144

■ ■ ■ **Cosmetic serum bottle packaging**



55144

■ ■ ■ **Cosmetic primer bottle packaging**

Packaging for cosmetics Industry



■ ■ ■ **Cosmetic cream jar packaging**



■ ■ ■ **Cosmetic powder packaging**



63871

■ ■ ■ **Cosmetic powder packaging**



■ ■ ■ **Cosmetic lipstick packaging**



63864

■ ■ ■ **Pair of shampoos packaging**



58214

■ ■ ■ **Makeup kit packaging including handle.**

Packaging for Pharmaceuticals Industry



63676

■ ■ ■ **Tablets packaging**



■ ■ ■ **Plasters packaging**



55144

■ ■ ■ **Medication bottle packaging**



51340

■ ■ ■ **Medication bottle packaging**

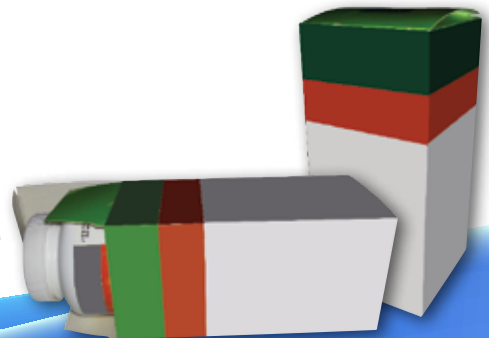


64200

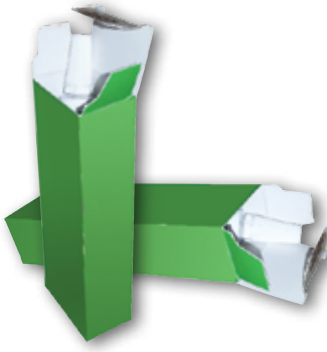
■ ■ ■ **Medication bottle packaging 25 ml**

52750

■ ■ ■ **Medication bottle packaging 15 ml**



Packaging for Pharmaceuticals Industry



43463

■ ■ ■ **Nutritional supplement
60 capsules packaging**



62696

■ ■ ■ **Ointment tube packaging**



■ ■ ■ **Ointment tube packaging**



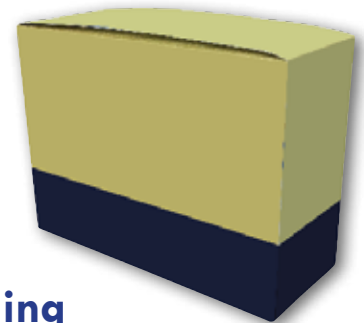
50065

■ ■ ■ **Vitamins bottle packaging.**



63676

■ ■ ■ **Pain relief tablets packaging**



64020

■ ■ ■ **Tablets kit packaging**

Packaging for toys Industry



62689

■ ■ ■ Hanging packaging for display



■ ■ ■ Hanging packaging for display



■ ■ ■ Games packaging



■ ■ ■ Display stand packaging

Packaging for toys Industry



62463

■ ■ ■ **CD/DVD packaging kit**



■ ■ ■ **Games packaging**



62689

■ ■ ■ **Hanging packaging for display**



■ ■ ■ **Sandals packaging**



■ ■ ■ **Puzzles & smart games packaging**

Marketing products



■ ■ ■ **Branded packaging kit for brochures**



41452

■ ■ ■ **Envelopes custom design**

■ ■ ■ **Folders**



■ ■ ■ **Staple brochures & booklets**



■ ■ ■ **Heat adhesive bookbinding**

■ ■ ■ **Medical leaflets**



Marketing products



■ ■ ■ Door hangers



■ ■ ■ Tri-fold brochures



■ ■ ■ Two fold brochures



■ ■ ■ Fold brochures



■ ■ ■ Daily newspapers & Magazines

Digital Printing products by demand



■ ■ ■ Vinyl stickers



■ ■ ■ Business Card



■ ■ ■ Variable data booklets



■ ■ ■ Manual brochures



■ ■ ■ Kappa boards 5/10 mm including lamination

■ ■ ■ Roll up stands

85X205 Cm
Double sided
lamination coating



Digital Printing products by demand



■ ■ ■ **Canvas printing**
including wood frame arrangements



■ ■ ■ **Customized finish**
for booklets & brochures



■ ■ ■ **Restaurant menus**



■ ■ ■ **Posters**



■ ■ ■ **Spiral/Staples/Heat adhesive**
brochures & booklets

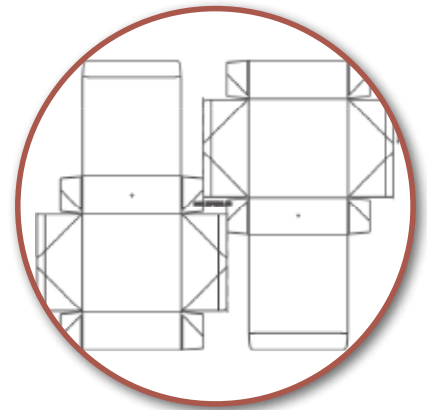
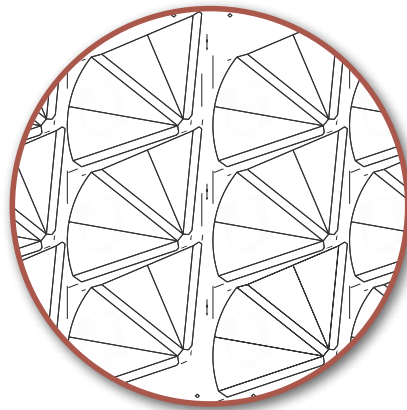
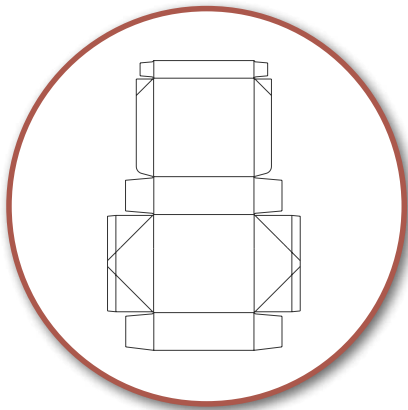
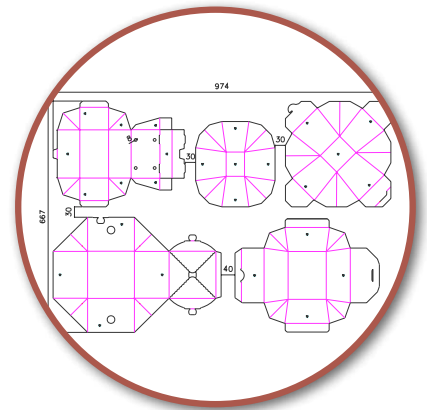
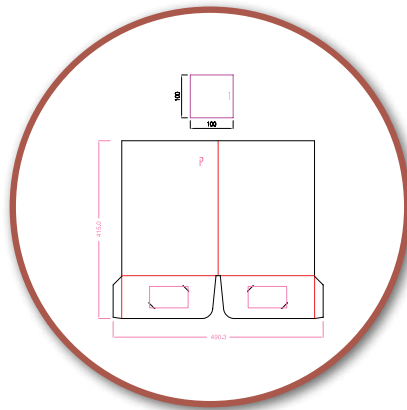
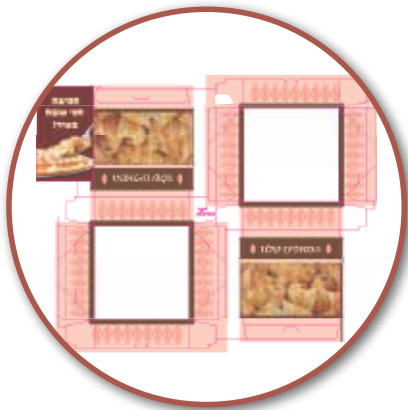


■ ■ ■ **Placements**

Packaging Design Department

Aviv Graphic design and packaging design.

With so many products out there, packaging design is as important as ever. Effective packaging design breaks away from the standard rules and conventions that we are accustomed to, giving the product a unique edge to stand out from the rest. In today's modern and competitive retail market world, you only have one chance to make a first impression. Make that first impression a creative and memorable one, with a custom design that will capture consumers attention Soon



Industry sign for perfection

Year after year **Emanuel Offset Printing** achieved a reward for perfection from Israel government.



We will be glad to assist you:



Emanuel Anav

CEO

M: +972-50-5212290

F: +972-3-9424007

Emanuel@em-print.co.il



Abraham Anav

Vice President

M: +972-50-5906218

F: +972-3-9424007

Abraham@em-print.co.il



Riki Nozar

M: +972-54-4919181

F: +972-3-6824868

Riki@em-print.co.il



Limor Naor

M: +972-50-5480400

F: +972-3-9424007

Limor@em-print.co.il



Liron Anav

M: +972-50-5617490

F: +972-3-9424021

Liron@em-print.co.il



Galit Geula

M: +972-50-2211582

F: +972-3-9424007

Galit@em-print.co.il

Emanuel offset Printing Ltd.

Emanuel Printing House: 7 Kaner st, Rishon Lezion, Israel

Phone: 972-3-9424000 | Fax: 972-3-9424007 | E-mail: office@em-print.co.il

www.em-print.co.il/eng



Check our video clip at:
Emanuel printing industry